

APPLICATION:

PRODUCT NAME:

UTILITY SPRAY VALVE

JOB NAME:

SPECIAL CONFIGURATION
 CHECK BASE MODEL AND OPTIONS

QUANTITY:

ITEM NO.

MODEL:

2920

OPTIONS OR MODIFICATIONS:

OTHER _____

FEATURES

SPRAY VALVE

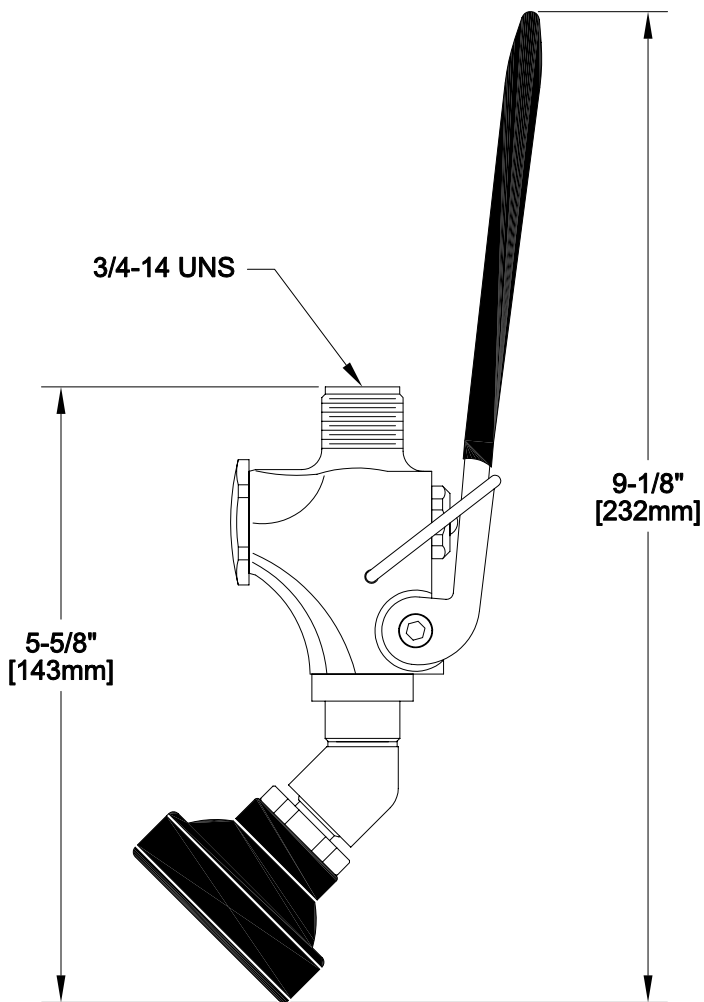
- * SPRAY NOZZLE THREADED INTO BODY
- * BRONZE HANDLE - NOT PLASTIC - MEANS FULL "ON"
- * BLACK DISH GUARD BUMPER
- * BUILT-IN SPRAY HANDLE CLIP
- * FITS ALL BRANDS

SYSTEM LIMITS

- * TEMP: 40°F MIN. TO 140°F MAX.
- * PRESSURE: 200 PSI MAX. STATIC

SHIPPING WEIGHT

- * 2.0 LBS



ANSI/A112.18.1M

FISHER

FISHER MANUFACTURING COMPANY

TOLL FREE: 800-421-6162 - FAX: 800-832-8238

information@fisher-mfa.com - www.fisher-mfa.com